

Value for Success

Vision: to be the preferred global Mid-market partner in Mobile material processing equipment.

Mission: to drive Mobile material processing equipment to be more sustainable, efficient and economical.

Powertrack[®] Mobile Crushing & Screening Units



Powertrack Machinery (Jiangsu) Co., Ltd.
Part of Metso Group

Add: No. 129, 338 Provincial Road, Xinbei District, Changzhou City, Jiangsu Province, China

Please contact our local distributor for more information

Sales@powertrackcrusher.com

Web: www.powertrackcrusher.com

Tel: +86 0519-88588800

Catalog

Powertrack in brief	04-05
Reasons to choose e-power Powertrack	06-07
Powertrack jaw crushing unit PT Pro J-II E	08-09
Powertrack cone crushing unit PT Pro C-20ES	10-11
Powertrack impact crushing unit PT Pro I-13DS	12-13
Powertrack mobile screening unit PT Pro ST-08E	14-15
PT Pro SC-08E	16-17
PT Pro SP-08D	18-19
Crusher	20-23
Services	23-25

Powertrack in brief

Pioneering Green Crushing & Screening Solutions

Founded in November 2023, Powertrack Machinery (Jiangsu) Co., Ltd. is located in Changzhou City, Jiangsu Province, China, which is a famous intelligent manufacturing city in the Yangtze River Delta, covering an area of 12,355 square meters.

As a bright new star of Metso Group, Powertrack adheres to sustainable development strategy. The company specializes in product solution and services of plug-in and hybrid track-mounted mobile crushing and screening units, providing efficient and environmentally friendly solutions for aggregate production, construction, concrete recycling and demolition waste treatment.

Our innovative solutions combine performance efficiency, sustainability and economy; collaborative domestic and global teams work closely with industry-leading strategic partners. Powertrack is committed to building excellent equipment, promptly and superior after-sales service, as well as technical support to ensure customers' long-term competitiveness and maximize the value of their investment.

Reasons to choose e-power Powertrack

Powertrack doubles your opportunities with e-power!

E-power offers quiet, emission-free and economical advantages, even in cities with the strictest regulations. With e-power, you can get reliability, stability and safety at high capacity. Moreover, it's even easier to operate and maintain with less service. Electricity by diesel power is more flexible for operation in the remote areas and enables to produce at anywhere and anytime.

All material processing functions of Powertrack crushers and screens can be powered by electricity.

For plug-in models, electricity can be supplied by power grid or external generator. For hybrid models, electricity can be provided by onboard diesel generator or by power grid. Either way, it's more economical to operate with less pollution. A mobile train combining different units can be powered by a single genset, making it more profitable!



MOBILITY

PRODUCTIVITY

STABILITY

PROFITABILITY

Powertrack PT Pro J-IIIE Mobile jaw crushing unit

Designed to meet the primary crushing of the hardest material

Powertrack PT Pro J-IIIE is ideal for aggregates production, crushing of natural materials or recycled materials such as demolished concrete. It is used as primary crusher that reduces the material to smaller size for further processing. It provides excellent performance under harsh environment. Reliable design ensures long lifespan with minimum maintenance cost. Hydraulic driven tracks are designed for flexible movement at the production site; compact dimensions enable easily transportation between different sites. The electric driven crushing and conveyor system saves operation cost and improves customer profit significantly.

SRHeavy SJC series jaw crusher >>>

The electric driven crushing system handles hard materials at high efficiency.

Power unit >>>

Power the tracks and the hydraulic cylinders for fold-unfold operation. With electric driven crushing process, significant operational cost can be saved.

Feed hopper >>>

The hopper can be folded for easy transportation. Optional expansion hopper volume up to 9 m³. Locking mechanism to ensure safety.

Grizzly feeder >>>

Efficient pre-scalping system and variable frequency feeder enable even and continuous feeding. To ensure stable production, the feeding volume can be controlled according to the load of crusher.

Side conveyor >>>

The pre-scalped fine material can be discharged through the side conveyor. It can be folded for easy transportation.

Tracks >>>

Tracks make J-IIIE easy to move in all the crushing sites.

Main conveyor >>>

Electric driven belt conveyor for material discharging or transferring to further processing. Dust cover and water spray system are optional for dust reduction and environment friendly.

Technical specifications

General information >>>

Capacity	150 – 500 t/h	165 – 551 St/h
Power	138 kW	185 hp
Transportation dimensions L x W x H	15,450 x 3,150 x 3,600 mm	50'7" x 10'4" x 11'8"
Working dimensions L x W x H	15,400 x 5,900 x 3,900 mm	50'6" x 19'4" x 12'8"
Weight	42,000 kg	92,595 lb

Jaw crusher >>>

Maximum recommended feed size	560 mm	22"
Feed opening	1,060 x 700 mm	42" x 28"
Power	110 kW	148 hp

Feed hopper >>>

Width	2,700 / 3,600 mm	8'10" / 11'10"
Volume	6/9 m ³ (optional)	7.8 / 11.8 yd ³
Loading height	3,900 / 4,300 mm	12'8" / 14'1"
Loading width	2,600 / 3,700 mm	8'6" / 12'2"

Grizzly feeder >>>

Length	4,200 mm	13'8"
Width	1,100 mm	44"
Drive type	Electric vibration motor	Electric vibration motor
Power	2 x 4.5 kW	2 x 6 hp

Main conveyor >>>

Length	10,500 mm	34'5"
Width	1,000 mm	39.4"
Discharge height	2,900 mm	9'6"

Side Conveyor (optional) >>>

Length	5,200 mm	17'1"
Width	500 mm	20"
Discharge height	1,800 mm	5'11"

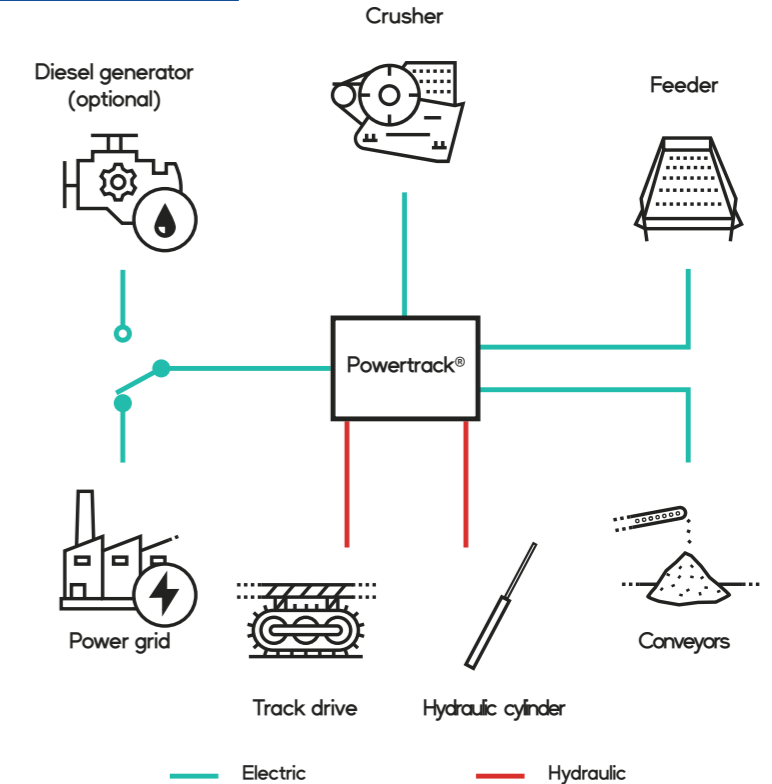
Power unit >>>

Model	Cummins QSB3.9	
Power	110 kW	148 hp

Options >>>

Magnetic separator	Hydraulic setting adjustment
Feed hopper extensions	Side conveyor
Working light mast LED	Dust cover
High pressure water pump (water spaying pipes and nozzles pre-equipped as standard)	Wireless remote control

Electric power / plug-in model



Applications >>>

Widely used in mining and construction materials fields. Suitable for pre-crushing of high hardness of natural stone, such as pebble, granite, basalt, quartz stone, iron ore, limestone, etc., as well as recycling materials.

Combine with >>>

PT Pro I-13DS mobile impact crushing unit
PT Pro C-20ES mobile cone crushing unit
PT Pro ST-08E mobile screening unit
PT Pro SC-08E mobile screening unit

Powertrack PT Pro C-20ES Mobile cone crushing unit

Used for secondary and tertiary crushing on multi-stage applications

Powertrack PT Pro C-20ES is suitable for secondary and tertiary crushing. It adopts the SCH2000 cone crusher that provides high production, high crushing ratio and high-quality aggregates. The proven design ensures machine reliability and is easy to maintain. Electric driven crushing system greatly reduces operational cost. Combined with Powertrack jaw crushing unit, it is an ideal choice for crushing medium to high hardness natural stone into aggregate.

Feed hopper >>>

Replaceable wear-resistant sturdy steel plate and liner.

SRHeavy SCH series cone crusher >>>

Features large eccentric distance and crushing ratio, high moving cone speed, its excellent structural design not only ensures high production efficiency, but also produces finished products with perfect particle size and shape.

Power unit >>>

Compact structure, high energy efficiency and stable power output.

Main conveyor >>>

Dust cover and water spray system are optional for dust reduction. External water supply is available.

Product conveyor >>>

Discharge the crushed material or transfer them to the further screening process.

Vibrating screen >>>

The vibrating screen accurately screens the crushed materials through the vibrating screen.

Overflow conveyor >>>

Transfer overflow material to the return conveyor.

Tracks >>>

Tracks make C-20ES easy to move in all the crushing sites.

Belt Feeder >>>

The feeder conveyor and crusher are interlocked to ensure even and continuous feeding by controlling the feeding amount.

Return conveyor >>>

The overflow material can be taken back to the crusher for re-crushing to improve the quality of finished product.



Technical specifications

General information >>>

Capacity	150 – 250 t/h	165 – 276 St/h
Power*	218 kW/246 kW	292 hp / 330 hp
Transportation dimensions*	C-20E: 17,000 x 3,450 x 3,700 mm	C-20ES: 55'8" x 11'3" x 12'2"
L x W x H	C-20ES: 17,150 x 3,450 x 3,700 mm	C-20ES: 56'3" x 11'3" x 12'2"
Working dimensions*	C-20E: 16,000 x 4,000 x 4,600 mm	C-20E: 52'6" x 13'2" x 15'2"
L x W x H	C-20ES: 20,000 x 12,400 x 5,600 mm	C-20ES: 65'6" x 40'7" x 18'4"
Weight*	33,000 kg / 47,000 kg	72,750 lbs / 103,617 lbs

Cone crusher >>>

Maximum recommended feed size	185 mm	7.3"
Power	132 kW / 160 kW (optional)	177 hp / 214 hp (optional)

Belt feeder >>>

Width	2,400 mm	7'10"
Hopper volume	5 m ³	6.5 yd ³
Loading height	2,800 mm	9'2"
Loading width	2,400 mm	7'10"

Main conveyor >>>

Length	9,800 mm	32'2"
Width	1,000 mm	40"
Discharge height	2,200 mm	7'3"

Vibrating screen (optional) >>>

Decks	2	2
Size	3,000 x 1,500 mm	9'10" x 4'11"
Stroke	7 – 12 mm	0.3" – 0.5"

Product conveyor (optional) >>>

Length	7,100 mm	23'4"
Width	1,200 mm	48"
Discharge height	3,200 mm	10'6"

Mid-size product conveyor (optional) >>>

Length	9,400 mm	30'10"
Width	650 mm	26"
Discharge height	2,400 mm	7'10"

Return conveyor (optional) >>>

Length	10,600 mm	34'9"
Width	500 mm	20"
Discharge height	3,800 mm	12'6"

Power unit >>>

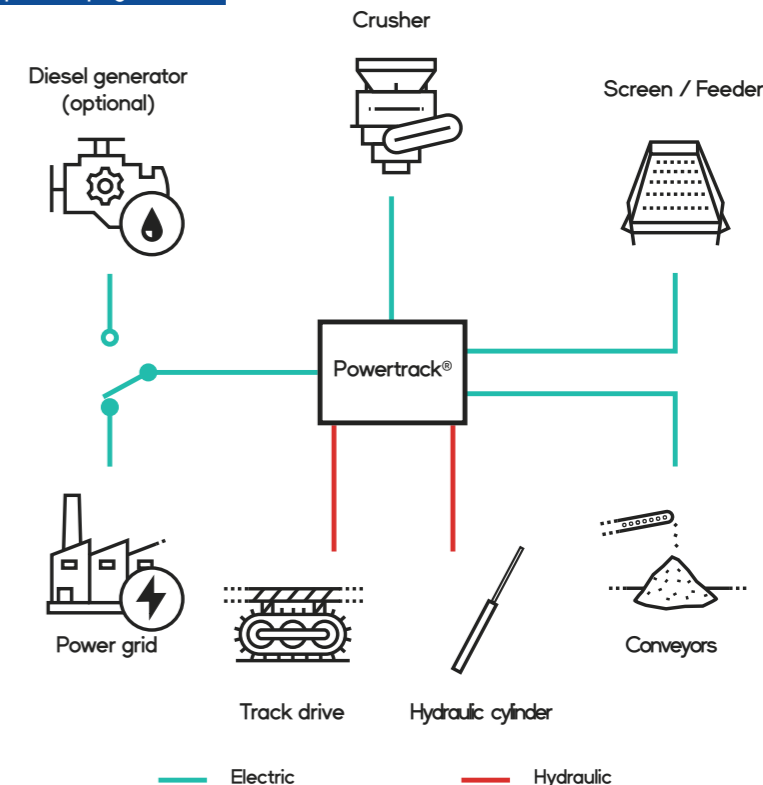
Model	Cummins QSB3.9	
Power	110 kW	148 hp

Options >>>

Interlocking cable	Dust cover
Wireless remote control	Working light mast LED
High pressure water pump (water spaying pipes and nozzles pre-equipped as standard)	Screen unit module (including return, overflow, side and product conveyors)

*Including screening unit

Electric power / plug-in mode



Applications >>>

Widely used in mining or construction materials fields. Suitable for crushing medium-high hardness ores and rocks, such as quartz stone, granite, basalt, iron ore, copper ore, etc.

Combine with >>>

PT Pro J-II-E mobile jaw crushing unit
PT Pro ST-08E mobile screening unit
PT Pro SC-08E mobile screening unit

Powertrack PT Pro I-13DS Mobile impact crushing unit

Suitable for the primary, secondary or fine crushing of all medium to low abrasive materials

Powertrack PT Pro I-13DS is commonly used for recycling and is also the best choice for crushing natural stone with medium to low abrasiveness. Due to its high crushing ratio, it is often used as an independent unit to produce high-quality finished aggregates. Thanks to the hybrid design, it can be connected to the external power grid to drive the crushing system, resulting in zero emission and operational costs reduction; it can also be powered by the onboard genset.

Feed hopper >>>

Alloy steel material and reinforcing bars on the lateral plates ensure robust structure of the hopper. Optional expansion hopper volume up to 9 m³.

SRHeavy Impact crusher >>>

Large feed size provides high production and finished product with excellent particle size. Structure designed for mobile crushing unit ensures stable and reliable operation.

Return conveyor >>>

The oversize material can be taken back to the crusher for re-crushing to improve the quality of finished product.

Power unit >>>

Equipped with diesel genset to ensure flexibility in the remote area; it can also utilize the external power grid, resulting in significant savings in operational costs.

Grizzly feeder >>>

Efficient pre-scalping system and frequency conversion feeder enable even and continuous feeding. To ensure stable production, the feeding volume can be controlled according to the load of crusher.

Tracks >>>

Tracks make I-13DS easy to move in all the crushing sites.

Oversize conveyor >>>

Transfer the oversize material to the return conveyor.

Product conveyor >>>

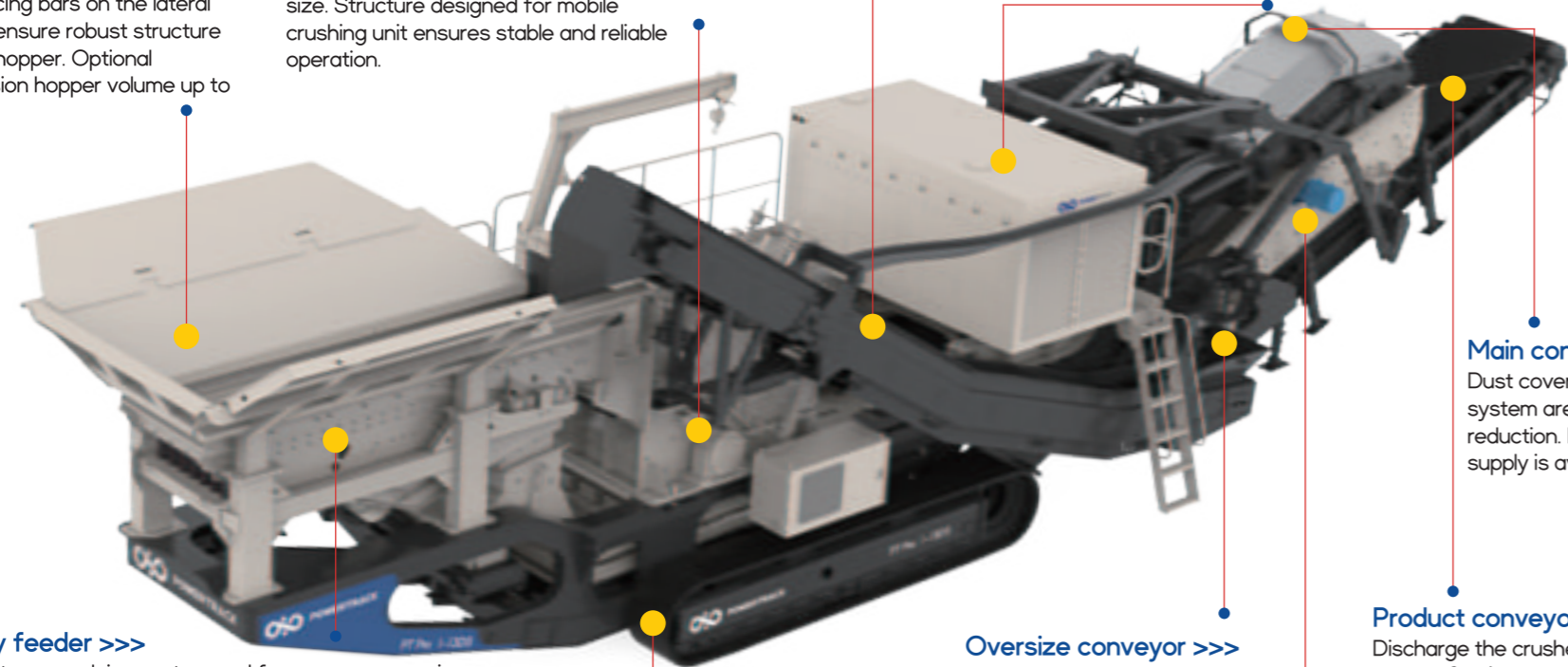
Discharge the crushed material or transfer them to the further screening process.

Vibrating screen >>>

The vibrating screen accurately screens the crushed materials through the vibrating screen.

Main conveyor >>>

Dust cover and water spray system are optional for dust reduction. External water supply is available.



Technical specifications

General information >>>

Capacity	150-400 t/h	165-441 St/h
Power*	315kW	422 hp
Transportation dimensions*	I-13D: 16,000 x 3,300 x 3,700 mm	I-13DS: 52'6" x 10'11" x 12'2"
L x W x H	I-13DS: 19,100 x 3,500 x 3,750 mm	I-13DS: 62'8" x 11'5" x 12'4"
Working dimensions*	I-13D: 16,000 x 5,050 x 4,060 mm	I-13D: 52'6" x 16'7" x 13'4"
L x W x H	I-13DS: 19,100 x 5,300 x 4,900 mm	I-13DS: 62'8" x 17'4" x 16'1"
Weight*	59,000 kg	130,073 lb

Impact crusher >>>

Feed opening	1,330 x 800 mm	4'4" x 2'7"
Maximum recommended feed size	600 mm	23.6"
Power	250 kW	335 hp

Feed hopper >>>

Hopper volume	6 / 9 m ³	7.8 / 11.8 yd ³
Loading height	3,800 mm	38'5"
Loading width	3,600 mm	3'11"
Pre-scalping unit		
Decks	2	

Main conveyor >>>

Length	11,700 mm	38'5"
Width	1,200 mm	48"
Discharge height	3,100 mm	10'2"

Vibrating screen (optional) >>>

Decks	1	
Size	3,600 x 1,600 mm	11'10" x 5'3"
Surface	5.8 m ²	6.9 yd ²
Stroke	7 - 9 mm	0.3" - 0.4"

Product conveyor (optional) >>>

Length	6,200 mm	20'4"
Width	1,200 mm	48"
Discharge height	3,300 mm	10'10"

Side conveyor (optional) >>>

Length	3,900 mm	12'8"
Width	500 mm	19.7"
Discharge height	1,600 mm	5'3"

Return conveyor (optional) >>>

Length	8,800 mm	28'10"
Width	500 mm	20"
Discharge height	4,100 mm	13'5"

Power unit >>>

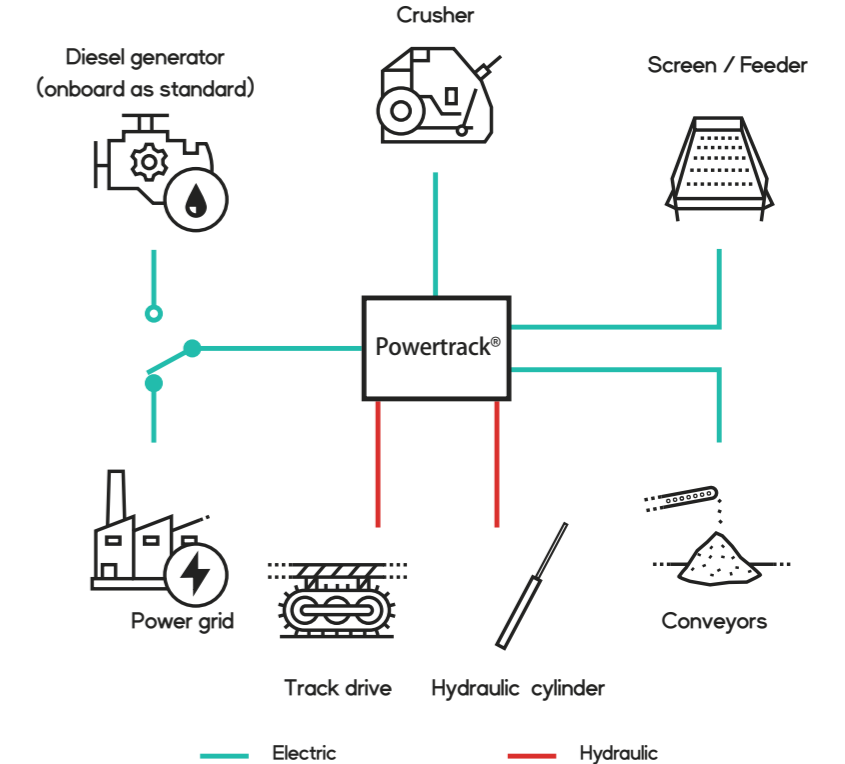
Model	YUCHAI/YCK13580-400	
Power	400 kW	536 hp

Options >>>

Screen unit module (including return, oversize and product conveyors)	High pressure water pump (water spaying pipes and nozzles pre-equipped as standard)
Magnetic separator	Wireless remote control
Feed hopper extensions	Working light mast led
Dust cover	Side conveyor

*Including screening unit

Dual power / hybrid model



Applications >>>

Commonly used in the crushing of the medium to low abrasive materials such as concrete, asphalt, construction waste, slag or limestone, coal, bluestone, shale, etc.

Combine with >>>

PT Pro J-II E mobile jaw crushing unit
PT Pro ST- 08E mobile screening unit
PT Pro SC- 08E mobile screening unit

Powertrack PT Pro ST-08E Mobile screening unit

Designed for screening crushed rock, as well as sand and gravel, etc.

Powertrack PT Pro ST-08E features a convenient screen design. Depending on the properties of the materials being screened, a wide range of screen media can be selected to control the final product granularity, ensuring efficient material screening. All conveyors can be hydraulically folded for easy transportation. PT Pro ST-08E is commonly used in combination with other mobile crushing units or operating as a stand alone unit for screening applications.

Top deck side conveyor >>>

This conveyor can be used either in open circuit to produce a final fraction directly or in close circuit configuration with mobile crusher to send back to the previous crusher oversized fraction from top deck.

Lifting conveyor >>>

The conveyor is equipped with spreader plate to distribute even material flow on the screen. The discharge section can be hydraulically raised for screen meshes replacement and maintenance.

Service platform >>>

Safer and more convenient daily maintenance.

Product conveyor >>>

Extra wide belt and large discharge height. The head can be folded for easy transportation.

Bottom deck side conveyor >>>

Foldable for easy transportation.

Feed hopper >>>

The tipping grid can remove large materials before screening. Variable frequency feeding device is interlocked with the previous crusher to ensure even and continuous feeding.

Power unit >>>

Power the tracks and the hydraulic cylinders for fold-unfold operation. Connected with external power supply, the electric driven screening process saves operational costs significantly.

Tracks >>>

Tracks make ST-08E easy to move in all the sites.

Middle deck oversized conveyor >>>

Foldable for easy transportation.

SRHeavy SS series vibrating screen >>>

Process up to four different types of materials with standard three-deck screen. Large screening area of 8.4 m². Flexible adjustment of screening angle ensures excellent screening capability for different applications. Electric driven screening unit saves operational costs significantly.

Technical specifications

General information >>>

Capacity	150 – 500 t/h	165 – 551 St/h
Power	60 kW	80 hp
Transportation dimensions L x W x H	18,000 x 3,150 x 3,650 mm	59' x 10'4" x 12'
Working dimensions L x W x H	18,800 x 15,900 x 6,200 mm	61'6" x 52'2" x 20'3"
Weight	32,000 kg	70,547 lb

Vibrating screen >>>

Maximum recommended feed size	150 mm	5.9"
Size	5,480 x 1,520 mm	17'11" x 5'
Screening area	8.4 m ²	10 yd ²
Decks	3	3
Stroke	8 – 10 mm	0.3" – 0.4"
Power	15 kW	20 hp

Feeder >>>

Type	Belt feeder with tipping grid (optional)	
Hopper Volume	7.5 m ³	9.8 yd ³
Loading height (w. / w.o. tipping grid)	2,500 mm / 3,400 mm	8'2" / 11'1"
Loading width	4,700 mm	15'3"

Lifting conveyor >>>

Length	11,200 mm	36'9"
Width	1,050 mm	42"

Top deck side conveyor >>>

Length	10,000 mm	32'10"
Width	650 mm	26"
Discharge height*	4,800 / 5,300 mm	15'7" / 17'5"

*Adjustable discharge height

Middle / bottom deck side conveyor >>>

Length	7,600 mm	24'11"
Width	800 mm	32"
Discharge height	3,900 mm	12'8"

Product conveyor >>>

Length	7,900 mm	25'11"
Width	1,200 mm	48"
Discharge height	4,100 mm	13'5"

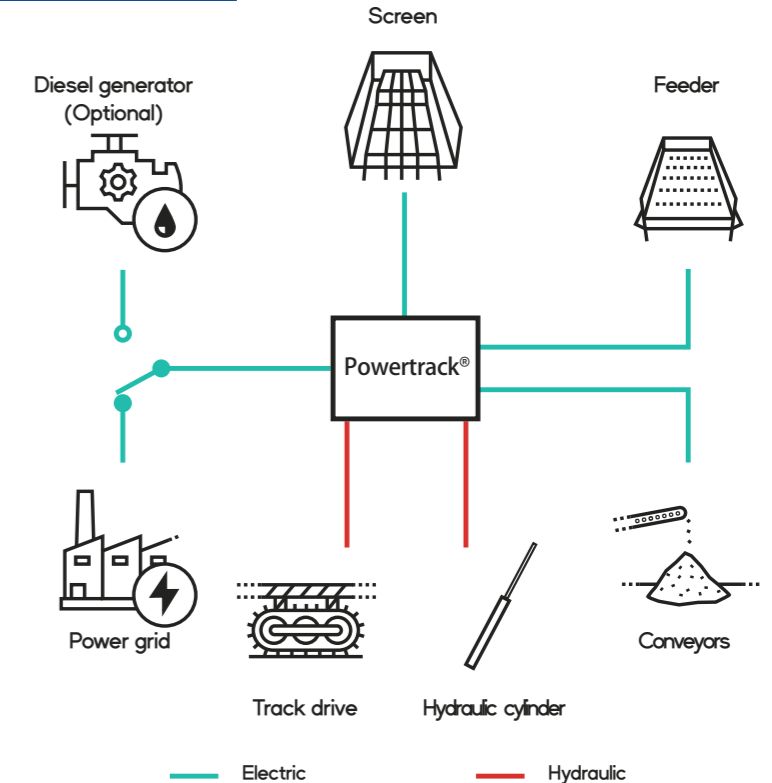
Power unit >>>

Model	Cummins QSB3.9	
Power	110 kW	148 hp

Options >>>

Remote control	High pressure water pump (water spaying pipes and nozzles pre-equipped as standard)	
Dust cover	Working light mast led	

Electric power / plug-in mode



Applications >>>

It is widely used for screening crushed aggregates in fields such as mining, construction materials and waste recycling in combination with mobile crushing units as well as a stand-alone screening unit.

Combine with >>>

PT Pro J-IIIE mobile jaw crushing unit
PT Pro C-20ES mobile cone crushing unit
PT Pro I-13DS mobile impact crushing unit

Powertrack PT Pro SC-08E Mobile screening unit

Designed for screening crushed rock, as well as sand and gravel etc.

The Powertrack PT Pro SC-08E series mobile screening unit features a convenient screen design. Depending on the properties of the materials being screened, a wide range of screen media can be selected to control the final product granularity, ensuring efficient material screening. All conveyors can be hydraulically folded for easy transportation. PT Pro SC-08E is commonly used in combination with mobile crushing units.

Top deck side conveyor >>>

This conveyor can be used either in open circuit to produce a final fraction directly or in close circuit configuration with mobile crusher to send back to the previous crusher oversize fraction from top deck.

Bottom deck side conveyor >>>

Foldable for easy transportation.

Feed hopper >>>

The feeding chute is made of high-strength structural steel which is sturdy and durable. The distribution plate inside the hopper can reduce the impact of materials dropping directly on the lifting belt and improve the belt life.

Power unit >>>

Power the tracks and the hydraulic cylinders for fold-unfold operation. Connected with external power supply, the electric driven screening process saves operational costs significantly.

Tracks >>>

Tracks make SC-08E easy to move in all the sites.

Lifting conveyor / Belt feeder >>>

The belt feeder is controlled by variable frequency to achieve even feeding.

Service platform >>>

Safer and more convenient daily maintenance.

Middle deck side conveyor >>>

Foldable with hydraulic driven for easy transportation.

SRHeavy SS series vibrating screen >>>

Process up to four different types of materials with standard three-deck screen. Large screening area of 8.4 m². Flexible adjustment of screening angle ensures excellent screening capability for different applications. Electric driven screening unit saves operational costs significantly.

Technical specifications

General information >>>

Capacity	150-500 t/h	165 - 551 St/h
Power	46 kW	62 hp
Transportation dimensions L x W x H	15,000 x 3,200 x 3,700 mm	49'2" x 10'6" x 12'1"
Working dimensions L x W x H	14,300 x 13,200 x 5,800 mm	46'11" x 43'4" x 19'1"
Weight	30,000 kg	66,139 lb

Vibrating screen >>>

Maximum recommended feed size	150 mm	6"
Size	5,480 x 1,520 mm	17'11" x 5'
Screening area	8.4 m ²	10 yd ²
Decks	3	3
Stroke	8 - 10 mm	0.3" - 0.4"
Power	2 x 5.5 kW	2 x 7.4 hp

Belt feeder >>>

Volume	4.2 m ³	5.6 yd ³
Loading height	2,200 mm	7'1"
Loading width	2,000 mm	6'5"
Length	11,300 mm	36'11"
Width	1,100 mm	43.3"

Top deck side conveyor >>>

Length	7,700 mm	25'
Width	650 mm	26"
Discharge height	4,100 mm	13'5"

Middle / bottom deck side conveyor >>>

Length	7,600 mm	24'11"
Width	800 mm	32"
Discharge height	4,000 mm	13'2"

Product conveyor (under screen) >>>

Length	7,000 mm	22'12"
Width	1,200 mm	48"
Discharge height	3,300 mm	10'10"

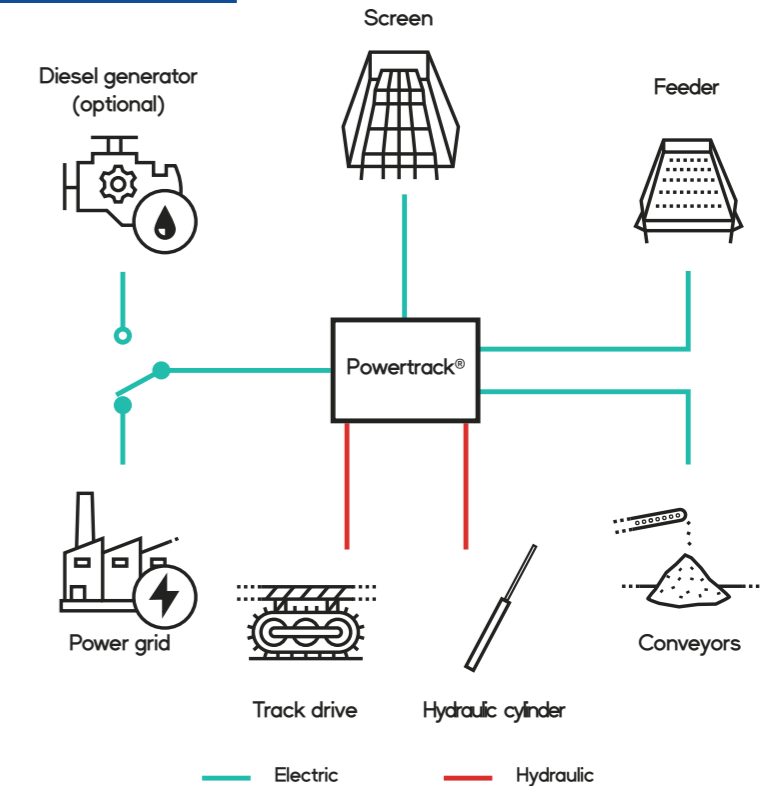
Power unit >>>

Model	Cummins QSB3.9	
Power	110 kW	148 hp

Options >>>

Wireless remote control	High pressure water pump (water spaying pipes and nozzles pre-equipped as standard)
Dust cover	Working light mast led

Electric power / plug-in model



Applications >>>

It is widely used for screening crushed aggregates in fields such as mining, construction materials and waste recycling in combination with mobile crushing units.

Combine with >>>

PT Pro J-IIIE mobile jaw crushing unit.
PT Pro C-20ES mobile cone crushing unit
PT Pro I-13DS mobile impact crushing unit

Powertrack PT Pro SP-08D Mobile scalping screening unit

Suitable for mining, construction waste materials and aggregate screening.

Powertrack PT Pro SP-08D is the heavy-duty scalping screening unit that can work alone or in combination with primary crushing unit. It is widely used in prescreening of feed with many fines like topsoil, earthwork, recycled waste, river gravel and slag, etc. and also effectively in scalping sticky recycling material. PT Pro SP-08D can be driven by dual power – external power grid or on-board genset, making it flexible to deal with different operating conditions.

Feeder >>>

Feed chute is made of high-strength and abrasion resistant steel. Standard apron feeder ensures stable feeding of coarse material. Belt feeder is optional.

SRHeavy Vibrating screen >>>

High stroke for efficient separation in sticky material. Double screen decks with the same screening area ensures screening efficiency. Various selection of versatile screen media to meet different working conditions.

Fines conveyor >>>

Chevron belt conveyor with higher discharge height. Foldable for easy transportation.

Oversize conveyor >>>

Ultra-wide chevron belt conveyor ensures continuous conveying oversize material and maximizes the discharge height.

Service platform >>>

Safer and more convenient daily maintenance.

Midsized conveyor >>>

Chevron belt conveyor with higher discharge height. Foldable for easy transportation.

Power unit >>>

Dual-power technology – flexible switching between diesel or plug-in electric operating modes, resulting in significant savings in operating costs.

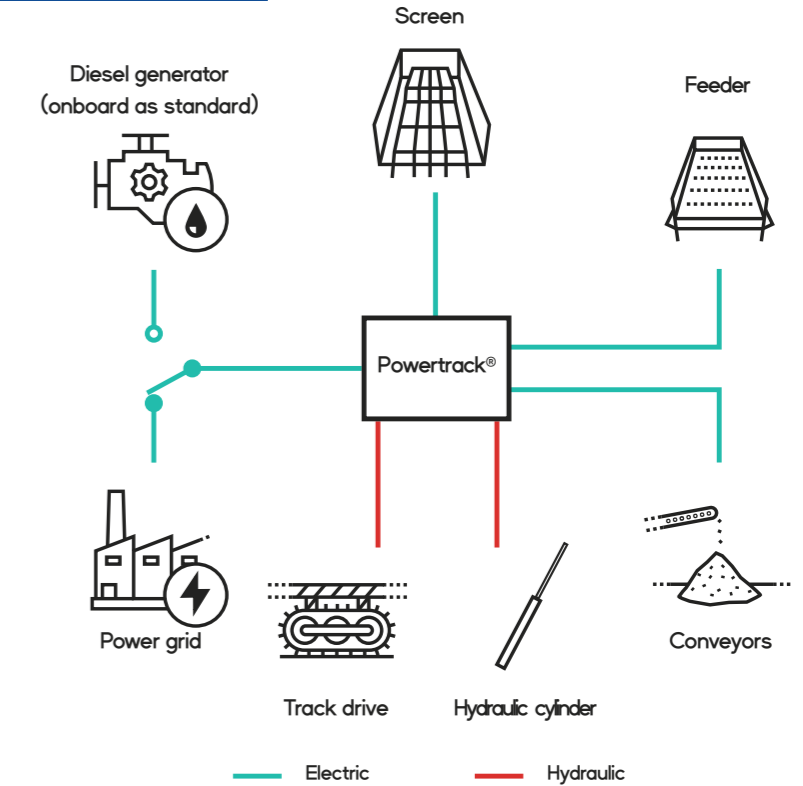
Tracks >>>

Tracks make SP-08D easy to move at sites.

Technical specifications

General information >>>		
Capacity	150–500 t/h	165–551 t/h
Power	62 kW	83 hp
Transportation dimensions L x W x H	15,850 x 3,450 x 3,750 mm	52' x 11'3" x 12'3"
Working dimensions L x W x H	14,800 x 15,200 x 4,700 mm	48'6" x 50' x 15'5"
Weight	32,000 kg	70,547 lb
Vibrating Screen >>>		
Maximum recommended feed size	600 mm (Apron feeder)/ 400 mm (Belt feeder)	24" (Apron feeder)/ 16" (Belt feeder)
Size	4,870 x 1,520 mm	16'x5'
Screening area	7.4 m ²	8.9 yd ²
Decks	2	2
Stroke	7–15 mm	0.3"–0.6"
Power	15 kW	20 hp
Feeder >>>		
Type	Apron feeder/Belt feeder (Optional)	Apron feeder/Belt feeder (Optional)
Hopper Volume	5.5 m ³	7.2 yd ³
Loading height	4,070 mm/3,700 mm (Backwall removed)	13'4"/12'2" (Backwall removed)
Loading width	3,200 mm	10'5"
Oversize conveyor >>>		
Length	5,500 mm	16'4"
Width	1,200 mm	4'
Discharge height	4,200 mm	10'5"
Midsized conveyor >>>		
Length	8,600 mm	28'3"
Width	800 mm	32"
Discharge height	4,200 mm	13'8"
Fines conveyor >>>		
Length	8,600 mm	28'3"
Width	800 mm	32"
Discharge height	4,000 mm	13'2"
Power unit >>>		
Model	Cummins B5.9CS4-GT2 with Stamford alternator	
Power	110 kW	148 hp

Electric power / plug-in model



Applications >>>

It can work independently or in combination with mobile crushing unit, widely used for screening in fields of mining, aggregate, recycling, etc.

Combine with >>>

PT Pro J-IIIE mobile jaw crushing unit
PT Pro I-I3DS mobile impact crushing unit



SRHeavy Crusher

Each Powertrack PT Pro crushing unit is equipped with a SRHeavy® crusher, which provides reliable and stable performance. It can be flexibly adjusted according to customer demands to produce high-quality aggregates, creating remarkable economic benefits for customers.

As a wholly-owned subsidiary of Metso, Shaorui Heavy Industries has 30 years of experience in the design and production of crusher and screen. Experienced engineers and design teams, combined with advanced professional industry knowledge and effective tools, produce crusher and screen with longer life and better efficiency.

Jaw Crusher



The SRHeavy® SJC series of crushers provide outstanding reliability and productivity even in the harshest working conditions.

01

Optimal nip angle, feed opening and performance >>>

03

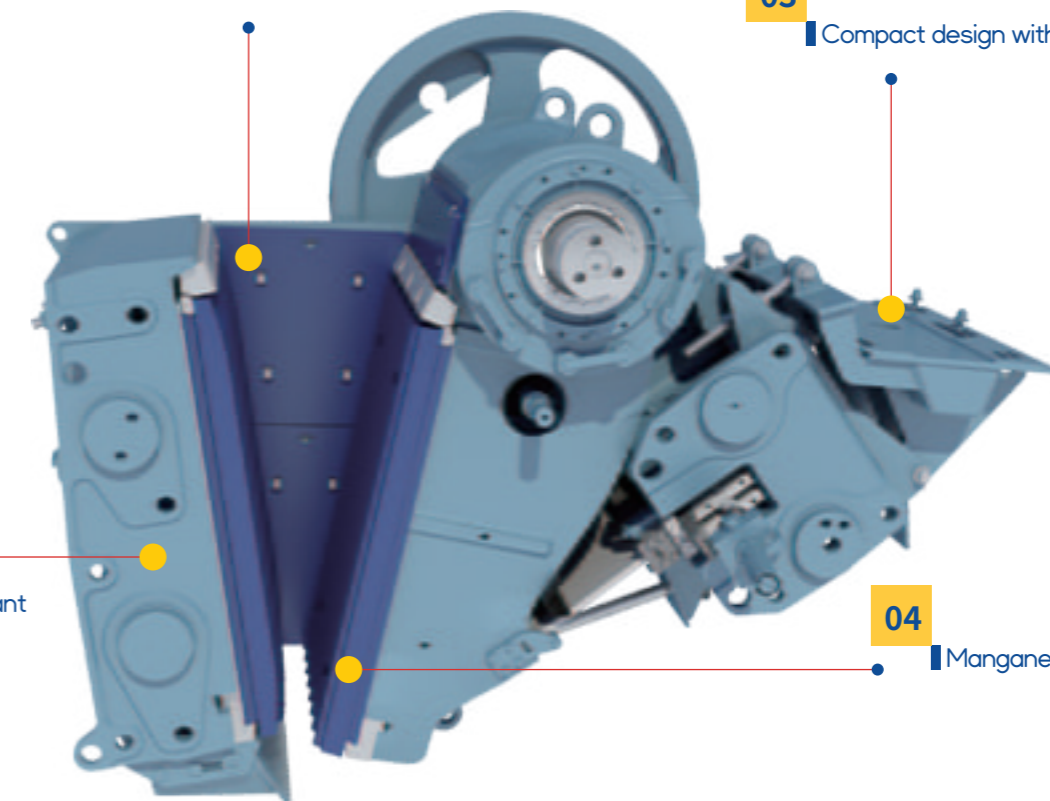
Compact design with integral motor support >>>

02

Bolted frame fatigue-resistant design, no weldings >>>

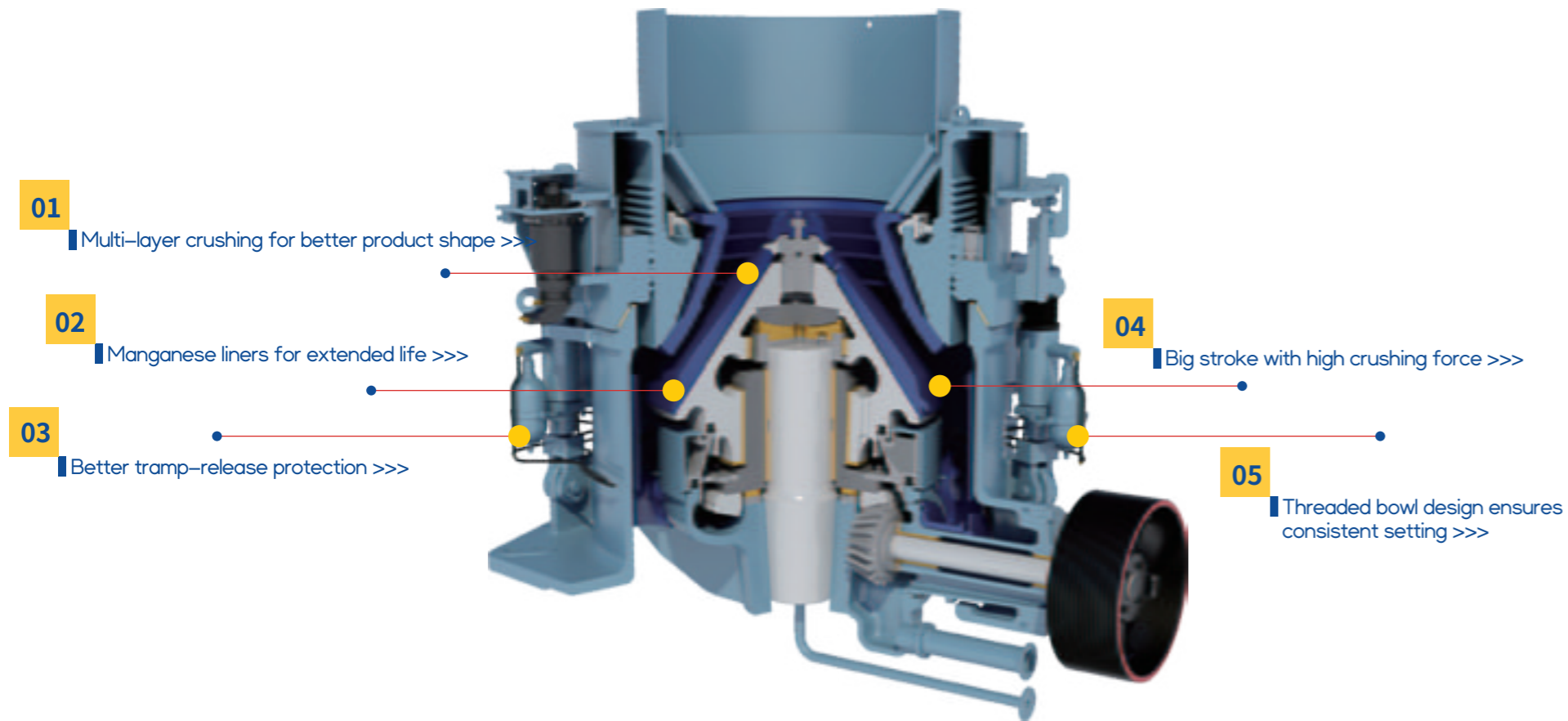
04

Manganese jaw plates for extended life >>>



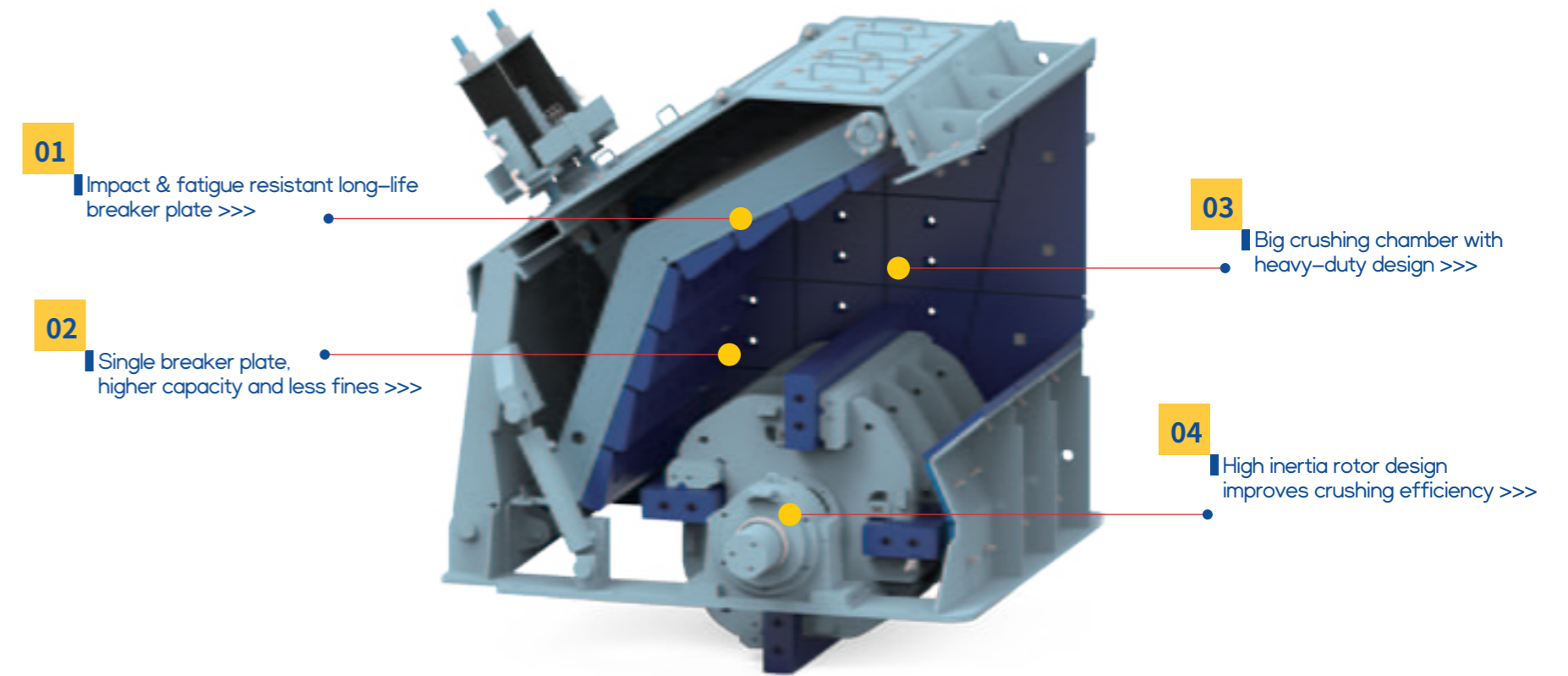
Hydraulic Cone Crusher

The SRHeavy® SCH2000 crusher is based on a classic design concept, with an excellent structure that not only ensures high productivity, but is also easy and safe to operate and maintain.



Horizontal Shaft Impactor

The crusher utilizes the SRHeavy® SFI213M, designed for mobile crushing unit, which allows for larger feed sizes and ensures higher productivity.



Services

Powertrack is committed to providing exceptional support for your equipment. Whether you're a new customer or a long-time partner, we prioritize your satisfaction. Our comprehensive service offerings cover various aspects to ensure optimal performance and longevity of your machine.



Spare Parts

We offer a wide range of components tailored to your specific equipment. We categorize spare parts into critical and routine maintenance items. Critical parts, such as hydraulic components, are essential for minimizing downtime during unexpected failures. Routine maintenance parts, like belts, help maintain optimal performance over time.



Wear Parts

Wear parts are crucial for maintaining the longevity and efficiency of your machinery. These components experience gradual wear and tear during operation. Regular inspection and replacement of wear parts prevent unexpected breakdowns and optimize overall equipment performance.



Technical Support

We're here to assist you with any technical issues or questions you might have. Our team consists of experienced professionals who are dedicated to providing timely and effective solutions. When you encounter issues, our experts guide you through diagnostics to identify the root cause.



Training

We provide training sessions for your operators and maintenance staff, ensuring they understand best practices and safety guidelines.